

CIP-options for BOLZ-SUMMIX and other equipment

Depending on cleaning requirements BOLZ Process Technology can offer a wide range of possibilities solving almost all cleaning in place challenges.

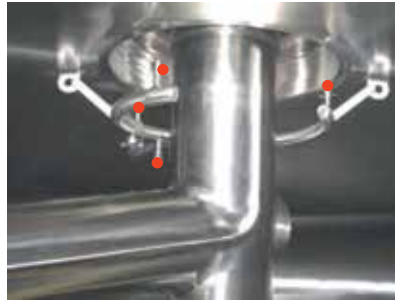
Removable CIP-lances

Hand operated or pneumatically driven lances allowing thorough cleaning of the mixing screw including the lower vessel parts.



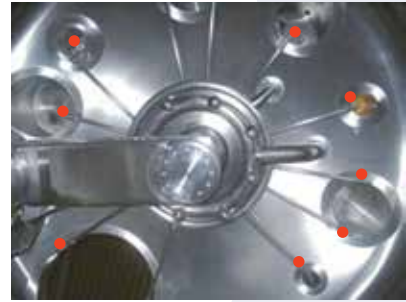
CIP-rings installed below the dome of the vessel

Allowing thorough cleaning of the centre main shaft and (mechanical) seal area.



CIP-nozzles allowing complete cleaning of all vessel connections

Our CIP-nozzles are made of stainless steels, Hastelloy or PTFE, stationary or rotating versions, ATEX compliant.

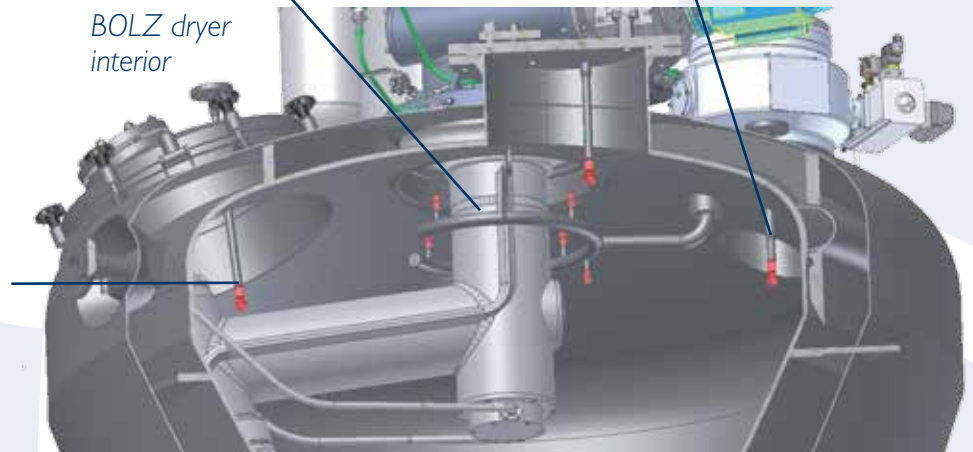


CIP-nozzle installed at the man-way

Allowing thorough cleaning of the orbit arm head area and man-way.

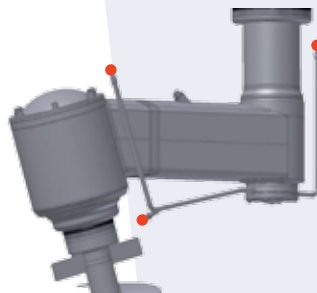


BOLZ dryer interior



Jet cluster CIP-arm installed below the orbit arm

While the CIP-arm rotates with the orbit arm, a full cleaning of the vessel's dome area and also of the critical orbit arm areas is possible.



BOLZ Process Technology GmbH

Sigmansserweg 2
 88239 Wangen, Germany
 E-Mail: info@bolz-pt.de
 Tel. +49 (0)75 22 91 62-0
www.heinkel.com